

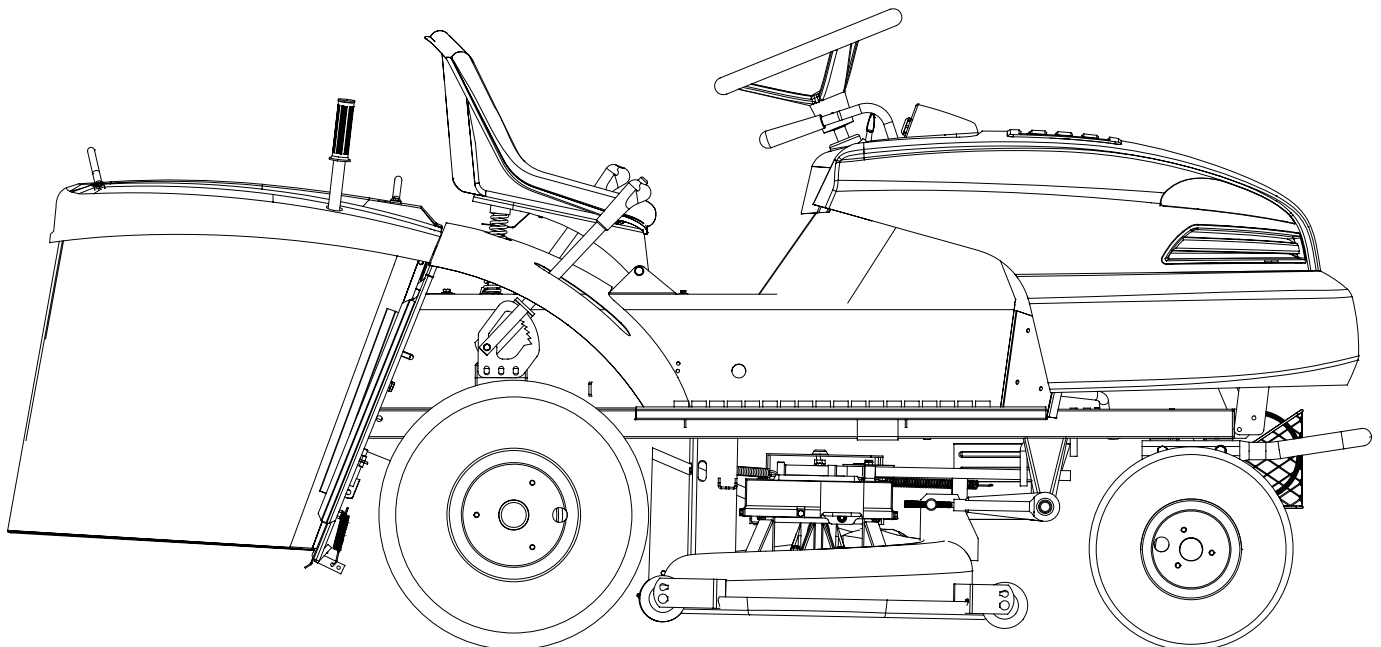
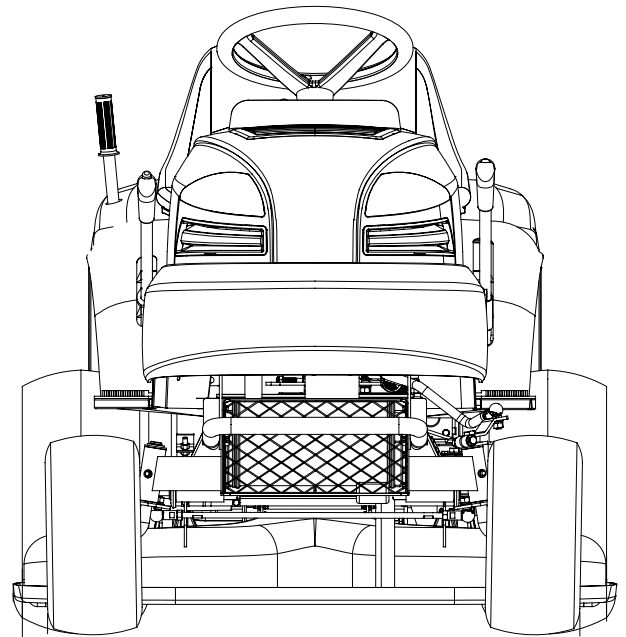
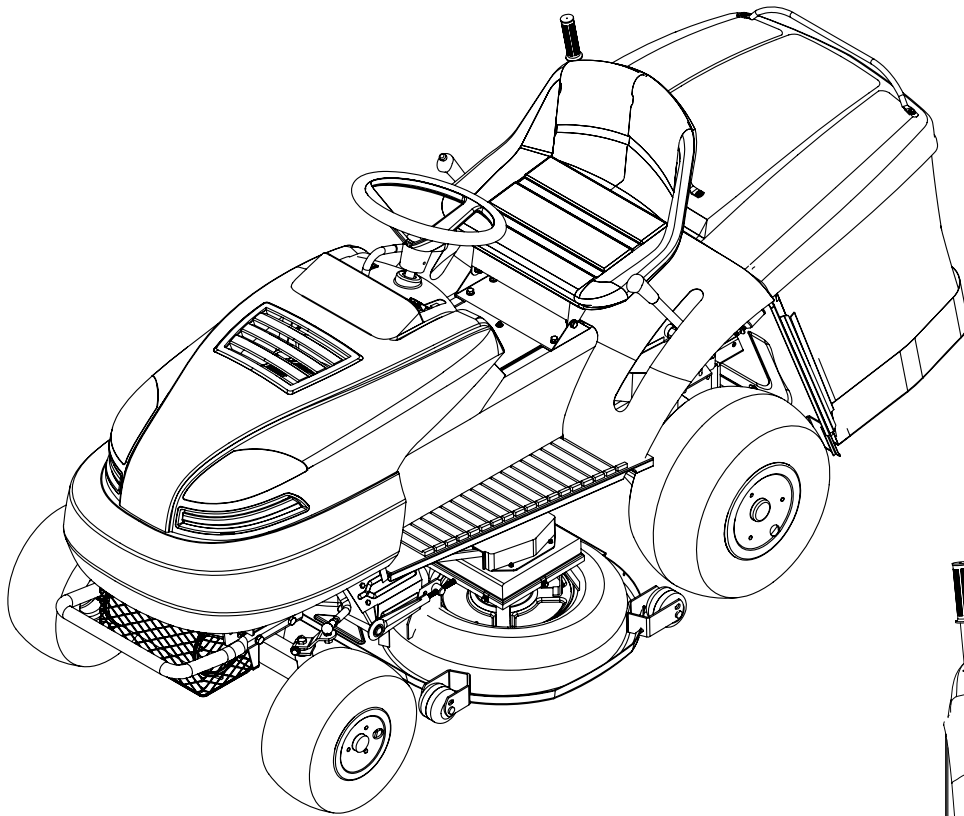
Lawn Tractor Rear Discharge

T130

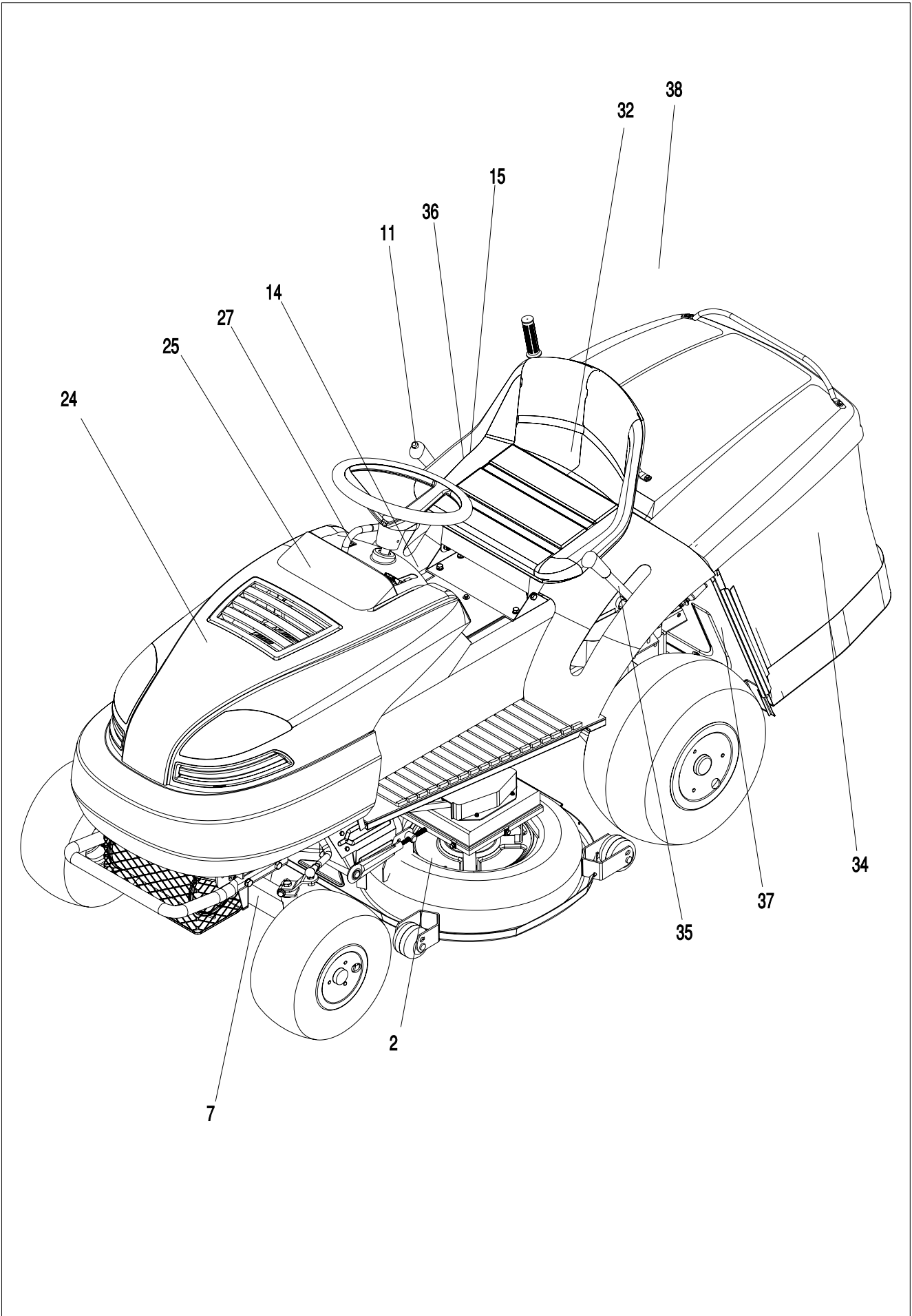
T140

T160

T180



PARTS SCHEDULE

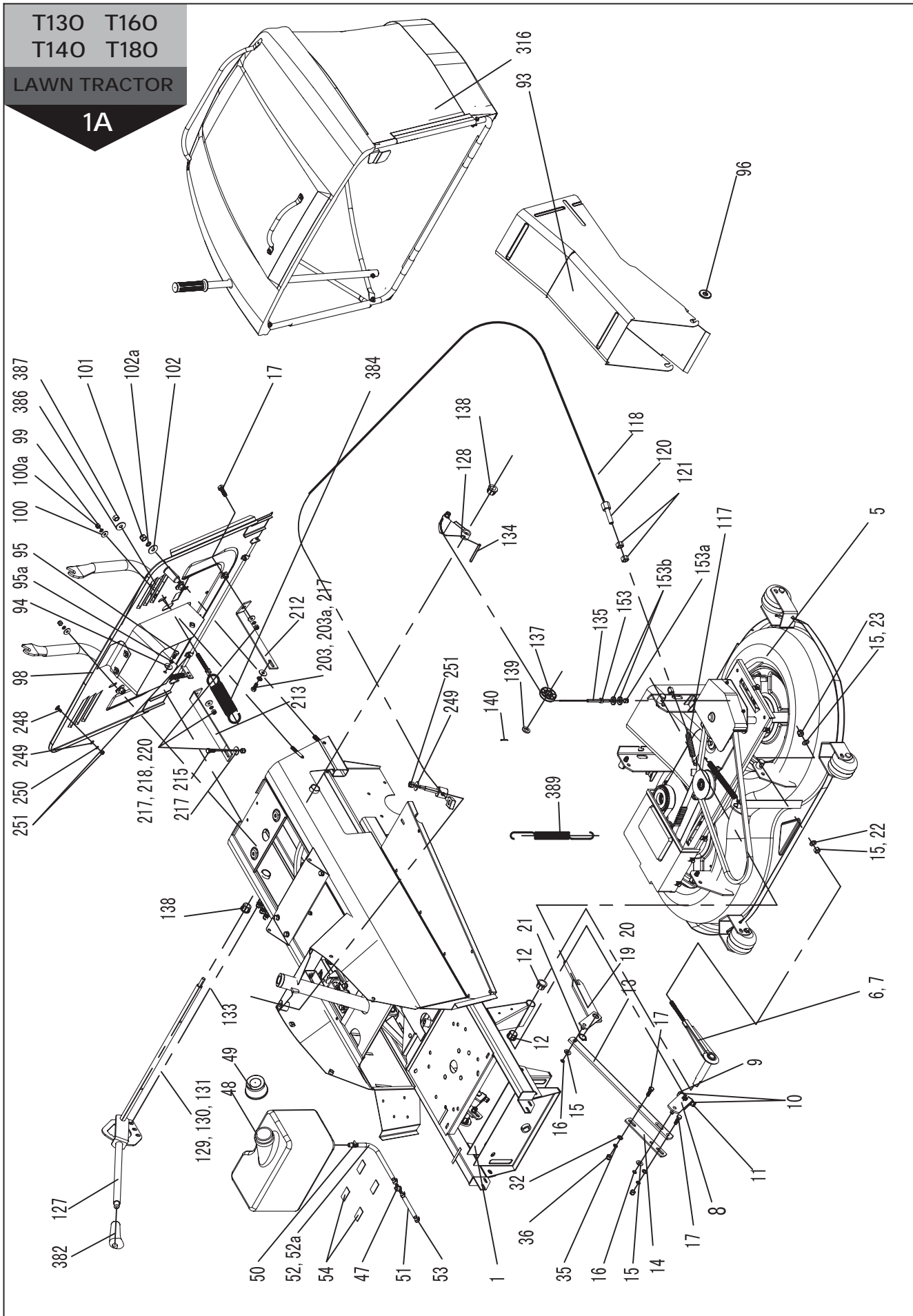


PARTS SCHEDULE

CONTENTS							
1	Lawn tractor						
2	Cutting deck						
7	Front axle						
11	Lifting level						
14	Hub						
15	Box						
24	Hood						
25	Panel						
27	Electrical system						
32	Seat						
34	Bunker						
35	Gear shifting						
36	Lift segment						
37	Plate						
38	Decals						
DIFFERENCES OF THE T130,T140,T160,T180							
	Engine	Bar	Segment	Pin (R)	Pin (L)	Silencer	Hose
T130	009 919	P0093-01A	P0100-00	P3836-00	P3838-00	PC3228-00	92 797
T140	009 916	PA0093-01A	PA0100-00A	PA3836-00	PA3838-00	PC3228-00	92 797
T160	009 917	P0093-01A	P0100-00	P3836-00	P3838-00	PB3228-00	92 797A
T180	009 918	PA0093-01A	PA0100-00A	PA3836-00	PA3838-00	PA3228-00	92 797A

PARTS SCHEDULE

T130 T160
T140 T180
LAWN TRACTOR
1A



PARTS SCHEDULE

LAWN TRACTOR				1A
1	2	3	4	Qty
1	Frame	GC102-00-00		1
5	Cutting Deck	P3580-00		1
6	Lever	P0031-00		1
7	Lever	P0032-00		1
8	Foot	P3186		2
9	Screw M8 x 55	150B0855	ISO4017 (DIN933)	2
10	Washer 8.4	40208	ISO7093 (DIN9021)	4
11	Nut M8	32808	ISO7040 (DIN982)	2
12	Bush Ø20	011 565		4
13	Lever	P3185		2
14	Shim	P3481		2
15	Washer 11	40110	ISO7089 (DIN125-A)	8
16	Ring 7	43607	DIN6799	4
17	Screw M8 x 25	150B0825	ISO4017 (DIN933)	4
19	Lever	P3182-00		1
20	Lever	P3181-00		1
21	Circlip 20	43120	DIN471	2
22	Nut M10	340B10	ISO4032 (DIN934)	2
23	Nut M10	32810	ISO7040 (DIN982)	2
32	Washer 9	40108	ISO7089 (DIN125-A)	4
35	Washer 8	40308	DIN127-B	4
36	Nut M8	32808	ISO7040 (DIN982)	4
47	Cock	008 681		1
48	Tank	P0778		1
49	Tank cover	008 513		1
50	hoop 10-16	676B16		1
51	Hose(L=85)	92 796		1
52	Hose(L=250)	92 797	12.5HP/13.5HP	1
52a	Hose(L=450)	92 797A	17.5HP/15.5HP	1

PARTS SCHEDULE

LAWN TRACTOR				1A
1	2	3	4	Qty
53	hoop 12	673B135		3
54	Washer	Y0121		4
93	Channel	P0253-00		1
94	Ring	P0302		2
95	Screw M8x18	150B0818	ISO4017 (DIN933)	2
95a	Washer 8	40308	DIN127-B	2
96	Ring	P0306		2
98	Plate	P0324		1
99	Nut M8	32808	ISO7040 (DIN982)	2
100	Washer 8.4	40208	ISO7093 (DIN9021)	2
100a	Washer 8	40308	DIN127-B	2
101	Nut M10	32810	ISO7040 (DIN982)	2
102	Washer 11	40110	ISO7089 (DIN125-A)	2
102a	Washer 10	40310	DIN127-B	2
117	Spring	008 051		1
118	Rope	P0260A-00		1
120	Screw	P0260-01		1
121	Nut M8	350B08	ISO4035 (DIN439)	2
127	Lever	P0861		1
128	Segment	P0774		1
129	Washer 9	40108	ISO7089 (DIN125-A)	6
130	Screw M8x20	150B0820	ISO4017 (DIN933)	3
131	Washer 8	40308	DIN127-B	3
133	Nut M8	32808	ISO7040 (DIN982)	3
134	Pin 6x25	5280625	ISO8752 (DIN1481)	2
135	Rope	P0775A-00		2
137	Roller	010 304		2
138	Bush Ø16	011 572		2
139	Washer 13.5	40112	ISO7089 (DIN125-A)	3

PARTS SCHEDULE

LAWN TRACTOR				1A
1	2	3	4	Quantity
140	Splint pin 3.2x25	5003225	ISO1234 (DIN94)	2
153	Nut M8	340B08	ISO4032 (DIN934)	2
153a	Nut M8	32808	ISO7040 (DIN982)	2
153b	Washer 9	40108	ISO7089 (DIN125-A)	4
203	Screw M8x20	150B0820	ISO4017 (DIN933)	1
203a	Washer 8	40308	DIN127-B	1
212	Strunt	P0119		1
213	Holder	P0186		1
215	Screw M8x20	150B0820	ISO4017 (DIN933)	1
216	Screw M8x20	150B0820	ISO4017 (DIN933)	2
217	Washer 8.4	40208	ISO7093 (DIN9021)	4
218	Washer 8	40308	DIN127-B	3
220	Nut M8	32808	ISO7040 (DIN982)	3
248	Screw (M6x16)	2850616	(ISO8677 (DIN603))	2
249	Washer 6.6	40106	ISO7089 (DIN125-A)	3
250	Washer 6	40306	DIN127-B	2
251	Nut M6	32806	ISO7040 (DIN982)	5
316	Bunker	P3101		1
382	Grip	008 702		1
384	Spring	008 191		1
386	Washer 10.5	40210	ISO7093 (DIN9021)	1
387	Nut M10	340B10	ISO4032 (DIN934)	1
389	Spring	NO2-01		2

PARTS SCHEDULE

LAWN TRACTOR				1B
1	2	3	4	Quantity
16	Screw M5 \times 25	150B0525	ISO4017 (DIN933)	2
17	Washer 5.3	40205	ISO7093 (DIN9021)	4
18	Nut M5	32805	ISO7040 (DIN982)	2
32	Washer 9	40108	ISO7089 (DIN125-A)	2
33	Engine	009 919	12.5HP	1
33a	Engine	009 916	13.5HP	1
33b	Engine	009 917	15.5HP	1
33c	Engine	009 918	17.5HP	1
34	Screw M8 \times 40	150B0840	ISO4017 (DIN933)	4
35	Washer 9	40108	ISO7089 (DIN125-A)	11
36	Nut M8	32808	ISO7040 (DIN982)	4
37	Washer 8	40308	DIN127-B	4
38	Nut M10	340B10	ISO4032 (DIN934)	1
39	Seal	P3228C		1
40	Silencer	PC3228-00	12.5-13.5	1
40a	Silencer	PA3228-00	17.5	1
40b	Silencer	PB3228-00	15.5	1
41	Screw	P3228D		2
42	Washer 8	40308	DIN127-B	2
44	Tube	P3640		1
46	Nut M16 \times 1.5	074 87		1
105	Switch	019 546-00		1
105a	Switch Nut	019 546-03		1
141	Pulley	P0697		1
142	Washer	P0147		1
143	Screw	012 063		1
144	Belt 1150	008 142		2
145	Cover	P0142-00		1
146	Cover	P0146		1
147	Screw M6 \times 70	150B0670	ISO4017 (DIN933)	2
148	Washer 6	40306	DIN127-B	3

PARTS SCHEDULE

LAWN TRACTOR				1B
1	2	3	4	Quantity
149	Washer 6.6	40106	ISO7089 (DIN125-A)	2
150	Nut M6	32806	ISO7040 (DIN982)	1
151	Screw M6x16	150B0616	ISO4017 (DIN933)	1
152	Washer 6.4	40206	ISO7093 (DIN9021)	1
154	Key	012 070		1
156	Pulley	P0767-00		1
156a	Bush 121610	007 266	12*16*10	2
157	Shaft	P0227		1
158	Washer	019 364		2
159	Washer 10	40310	DIN127-B	1
160	Nut M10x1	341B10	ISO8673 (DIN934)	1
162	Washer	019 371		2
164	Hub	P0354		1
165	Pin	P0585-00		1
167	Foot	P0345		1
168	Holder	P0666		1
171	Screw M8x25	150B0825	ISO4017 (DIN933)	2
172	Washer 8.4	40208	ISO7093 (DIN9021)	10
173	Screw M8x12	150B0812	ISO4017 (DIN933)	4
174	Washer 8	40308	DIN127-B	8
177	Foot	P0346		1
178	Plate	P0341-00		1
181	Washer	P0211		1
182	Nut M12	32812	ISO7040 (DIN982)	1
182a	Washer 12	40312	DIN127-B	1
198	Box	P3536		1
302	Gate	P0838		1
303	Washer	P0852		1
304	Shaft	P0845-00		1
305	Draw.rod	P0827		1
306	Adjust.nut	P0837		1

PARTS SCHEDULE

LAWN TRACTOR				1B
1	2	3	4	Quantity
308	Gear shifting	P0864		1
309	Driver+Bush	P0839-00		1
310	Holder	P0862		1
312	Washer 5.5	40105	ISO7089 (DIN125-A)	2
313	Washer 5	40305	DIN127-B	2
318	Washer 8	40308	DIN127-B	2
319	Pin B8x32	5100832	ISO2341(DIN EN22 341)	1
320	Screw M8x20	150B0820	ISO4017 (DIN933)	5
321	Screw M8x25	150B0825	ISO4017 (DIN933)	2
322	Washer 9	40108	ISO7089 (DIN125-A)	9
323	Washer 8	40308	DIN127-B	7
326	Splint pin 3.2x18	5003218	ISO1234 (DIN94)	2
327	Screw M10x30	150B1030	ISO4017 (DIN933)	1
328	Washer 11	40110	ISO7089 (DIN125-A)	2
329	Washer 10	40310	DIN127-B	1
330	Nut M10	32810	ISO7040 (DIN982)	1
331	Pedal	P0564-00		1
332	Pedal	008 135		1
333	Bearing	P0555		1
334	Insert	P0743		2
335	Screw M8x22	150B0822	ISO4017 (DIN933)	4
336	Washer 8	40308	DIN127-B	4
337	Nut M8	32808	ISO7040 (DIN982)	4
338	Washer 9	40108	ISO7089 (DIN125-A)	4
339	Pawl	P0560-00		1
340	Washer	P0551		1
341	Screw M5x12	150B0512	ISO4017 (DIN933)	2
342	Nut M5	328B05	ISO10511 (DIN985)	2
344	Draw.rod	P0750-00		1
345	Shim	P3230-00		1
347	Screw M8x12	150B0812	ISO4017 (DIN933)	2

PARTS SCHEDULE

LAWN TRACTOR				1B
1	2	3	4	Quantity
348	Washer 9	40108	ISO7089 (DIN125-A)	2
354	Bush 16	011 572		4
356	Lever	P0382-00		1
358	Lever	P3221-00		1
359	Pin 6x32	5280632	ISO8752 (DIN1481)	2
360	Spring	008 205		1
361	Draw.rod	P0645-00		1
363	Nut M8	32808	ISO7040 (DIN982)	1
374	Spacer	P0437		1
375	Draw.rod	P0404-00		1
376	Washer 9	40108	ISO7089 (DIN125-A)	2
377	Nut M8	32808	ISO7040 (DIN982)	1
378	Spring	008 212		1
380	Splint pin 2.5x25	5002525	ISO1234 (DIN94)	1
381	Spring	008 226		1
383	Grip	008 695		1
397	Left protector	F0003-00		1
398	Right protector	F0004		1
399	Washer 17	40116	ISO7089 (DIN125-A)	1