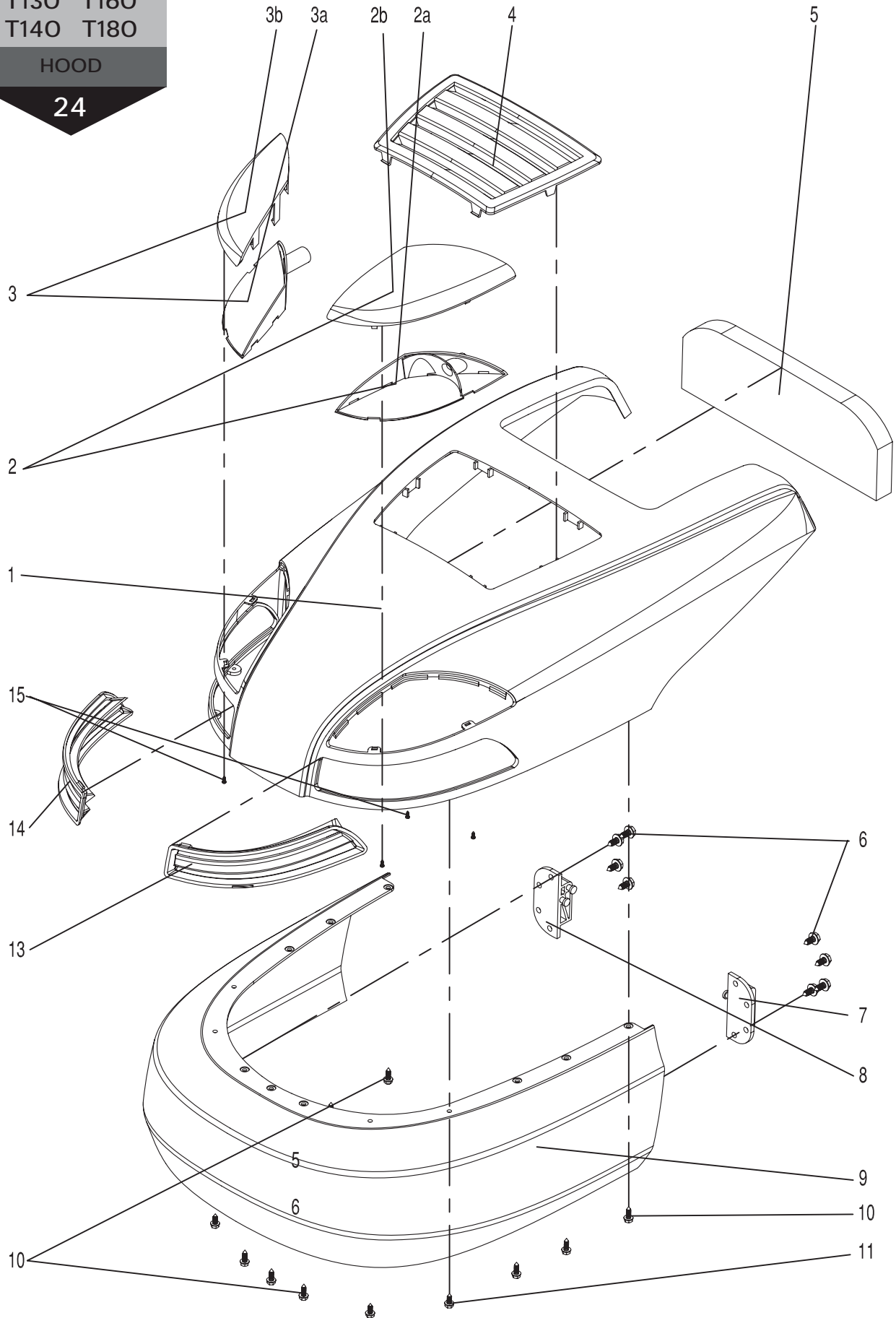


# PARTS SCHEDULE

T130 T160  
T140 T180

HOOD

24



# PARTS SCHEDULE

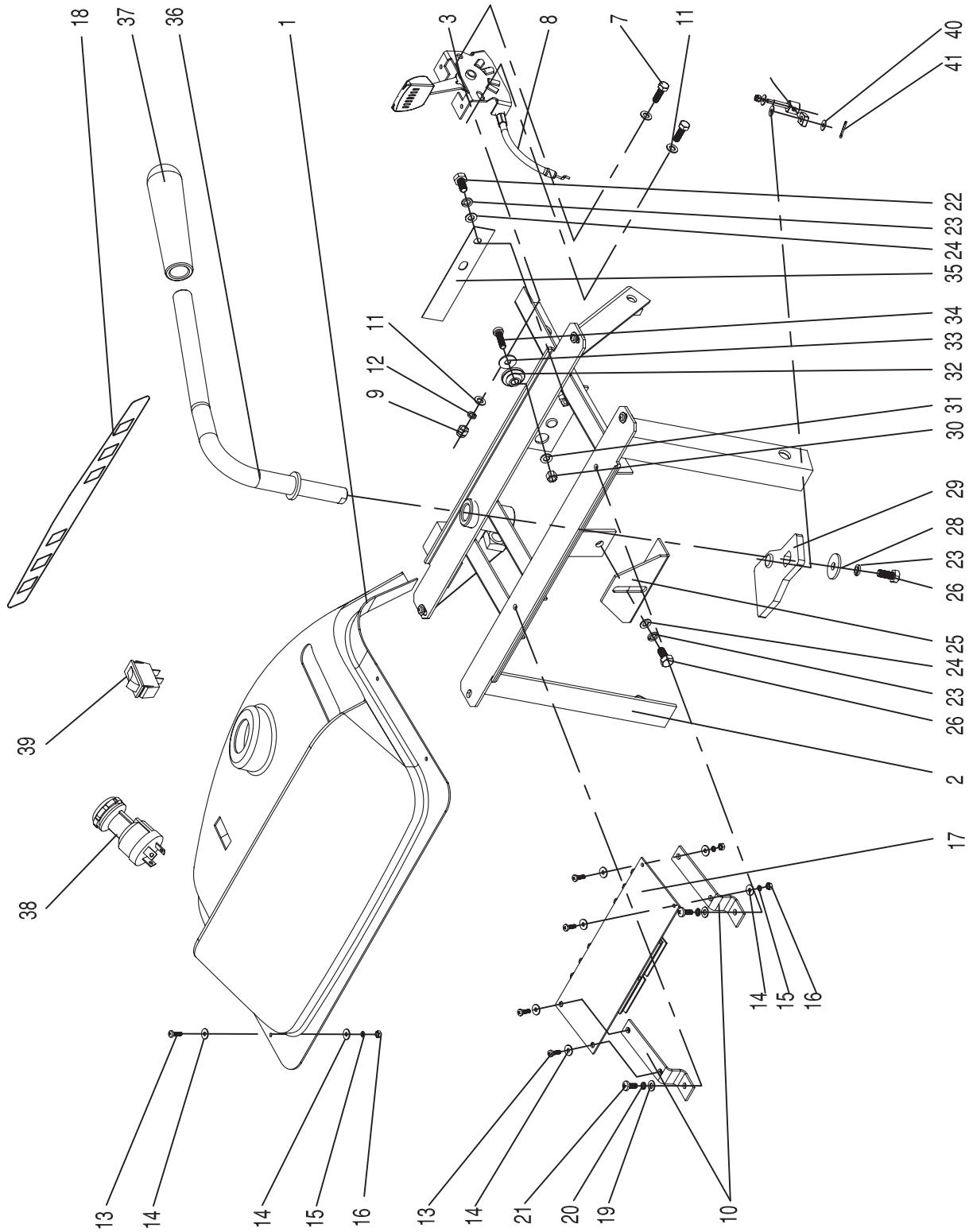
HOOD				24
1	2	3	4	Quantity
	Hood	P3561-00A		1
1	Hood	P3561A		1
2	Headlamp (L)	021 806B		1
2a	Headlamp seat (L)	647 081B		1
2b	Headlamp cover (L)	013 373B		1
3	Headlamp (R)	021 806C		1
3a	Headlamp seat (R)	647 081C		1
3b	Headlamp cover (R)	013 373C		1
4	Vent upside	P3562A-02		1
5	Sponge	N2003		1
6	Screw ST8*19	2710819	ISO7049 (DIN7981)	8
7	Link (L)	P3565A-06		1
8	Link (R)	P3565A-07		1
9	Bumper	P3565A-05		1
10	Screw ST6.3*22	2716322	ISO7049 (DIN7981)	9
11	Screw ST6.3*19	2716319	ISO7049 (DIN7981)	4
13	Vent front (L)	P3563A-03		1
14	Vent front (R)	P3564A-04		1
15	Screw ST2.9*9.5	2712995	ISO7049 (DIN7981)	6

# PARTS SCHEDULE

T130 T160  
T140 T180

PANEL

25



# PARTS SCHEDULE

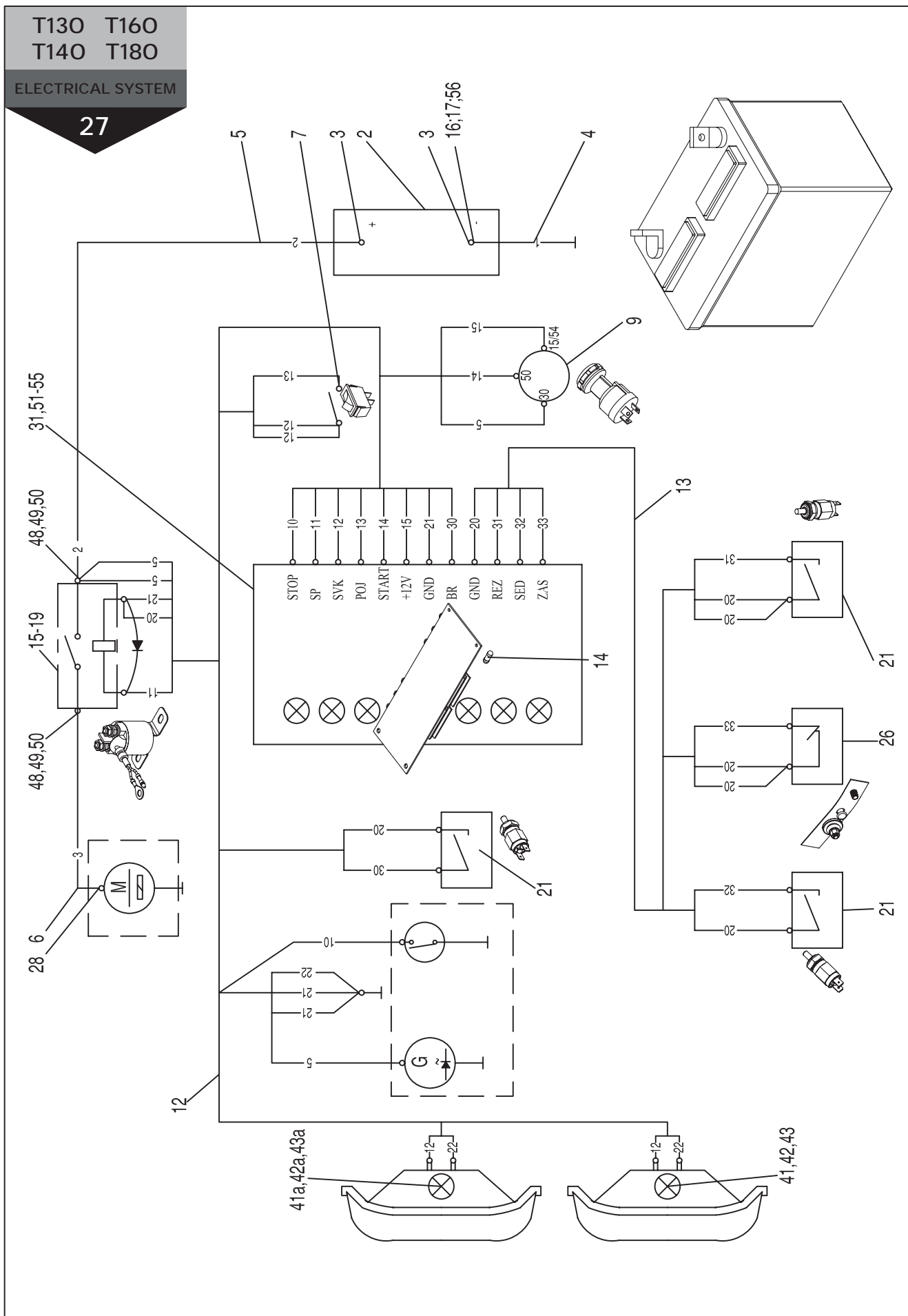
PANEL				25
1	2	3	4	Quantity
	Panel	P3288		1
1	Panel	GC102-A-09-01B		1
2	Reinforce	P3356A-00		1
3	Operating device	P0593-00		1
7	Screw M5x16	150B0516	ISO4017 (DIN933)	2
8	Stay wire	P0907-00		1
9	Nut M5	32805	ISO7040 (DIN982)	2
10	Plugboard underprop	P3356H		2
11	Washer 5.5	40105	ISO7089 (DIN125-A)	4
12	Washer 5	40305	DIN127-B	2
13	Screw M3x10	2140310	ISO7045 (DIN7985)	8
14	Washer 3.2	40103	ISO7089 (DIN125-A)	16
15	Washer 3	40303	DIN127-B	8
16	Nut M3	340B03	ISO4032 (DIN934)	8
17	Plugboard	007 770		1
18	Decal, dashboard	P3349-01K		1
19	Washer 4.3	40104	ISO7089 (DIN125-A)	2
20	Washer 4	40304	DIN127-B	2
21	Screw M4*10	2140410	ISO7045 (DIN7985)	2
22	Screw M6*14	150B0614	ISO4017 (DIN933)	1
23	Washer 6	40306	DIN127-B	3
24	Washer 6.6	40106	ISO7089 (DIN125-A)	2
25	Foot	P3206		1
26	Screw M6*14	150B0614	ISO4017 (DIN933)	2
28	Washer 6.5	402B06	DIN6916	1
29	Lever	P3142A-00		1
30	Nut M5	32805	ISO7040 (DIN982)	1
31	Washer 5.5	40105	ISO7089 (DIN125-A)	1
32	Rubber washer	T0301		1
33	Washer 5.3	40205	ISO7093 (DIN9021)	1
34	Screw M5x18	2140518	ISO7045 (DIN7985)	1
35	Spring slice	P3152A		1
36	Lever	P3141C-00		1
37	Grip	T0202		1
38	Switch	007 385		1
39	Switch	007 840		1

# PARTS SCHEDULE

T130 T160  
T140 T180

ELECTRICAL SYSTEM

27

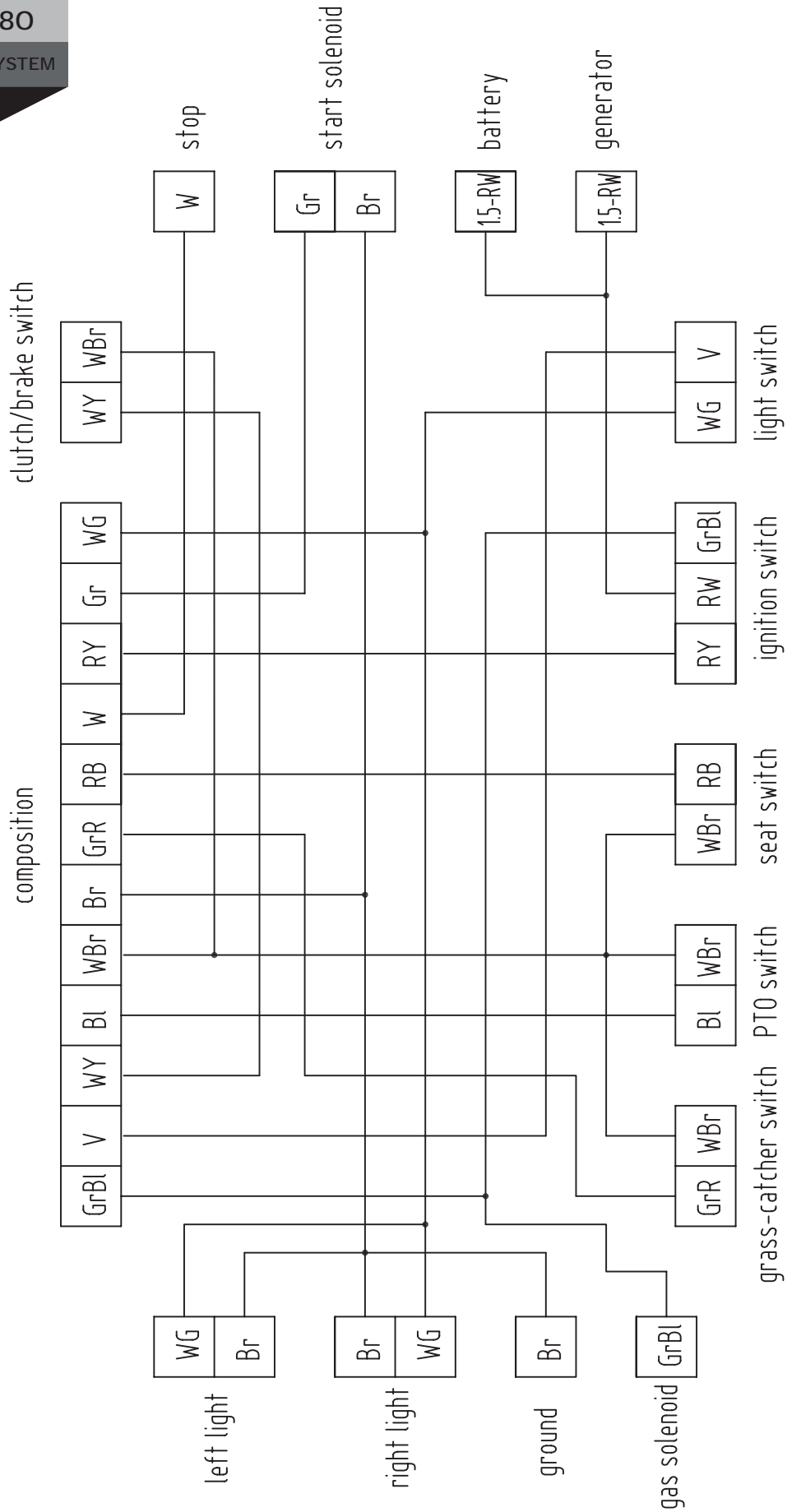


# PARTS SCHEDULE

T130 T160  
T140 T180

ELECTRICAL SYSTEM

27a



# PARTS SCHEDULE

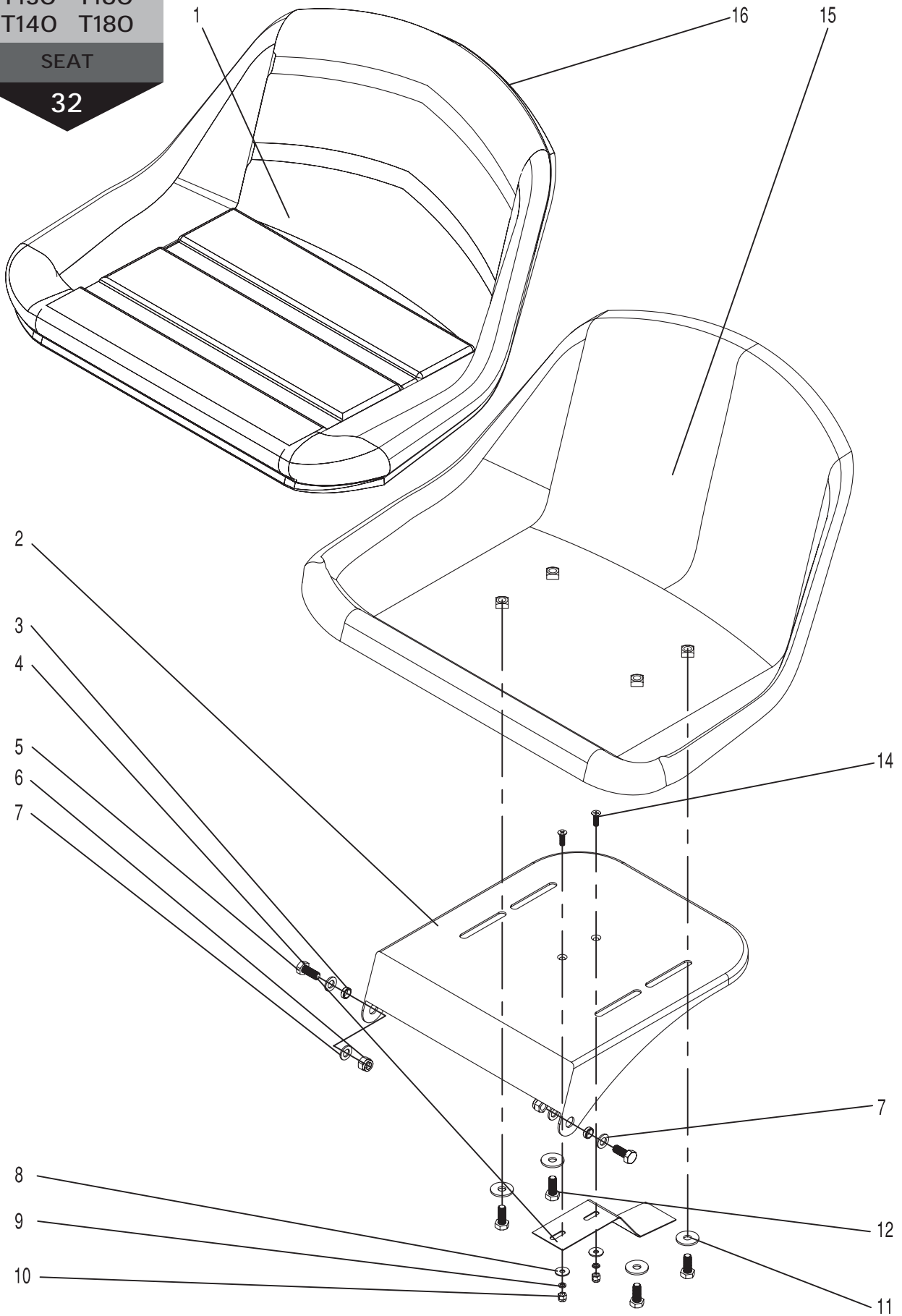
ELECTRICAL SYSTEM				27
1	2	3	4	Quantity
	Electrical system	P0486		1
2	Accumulator	007 343		1
3	Rubber inlet	N2005		2
4	El.conductor	P0167		1
5	El.conductor	P0487		1
6	El.conductor	P0488		1
7	Switch	007 840		1
9	Switch	007 385		1
12	Bundle	13/102.48.100		1
13	Strap	67405100		2
14	Fuse	007 771		1
15	Relay	007 630		1
16	Screw M6x16	150B0616	ISO4017 (DIN933)	4
17	Washer 6.6	40106	ISO7089 (DIN125-A)	6
18	Washer 6	40306	DIN127-B	2
19	Nut M6	32806	ISO7040 (DIN982)	2
21	Switch	019 546		3
26	Seat Switch	019 546		1
28	Rubber inlet	052 593		3
31	Composition	007 770		1
41	Headlamp cover (L)	013 373B		1
41a	Headlamp cover (R)	013 373C		1
42	Headlamp seat (L)	647 081B		1
42a	Headlamp seat (R)	647 081C		1
43	Lamp	310 181A		2
43a	Lamp socket	310 182		2
48	Nut M8	340B08	ISO4032 (DIN934)	4
49	Washer 9	40108	ISO7089 (DIN125-A)	4
50	Washer 8	40308	DIN127-B	2
51	Holder	P3356H		2
52	Screw M3x10	2140310	ISO7045 (DIN7985)	4
53	Washer 3.2	40203	ISO7093 (DIN9021)	8
54	Washer 3	40303	DIN127-B	4
55	Nut M3	340B03	ISO4032 (DIN934)	4
56	Nut M6	340B06	ISO4032 (DIN934)	2

# PARTS SCHEDULE

T130 T160  
T140 T180

SEAT

32



# PARTS SCHEDULE

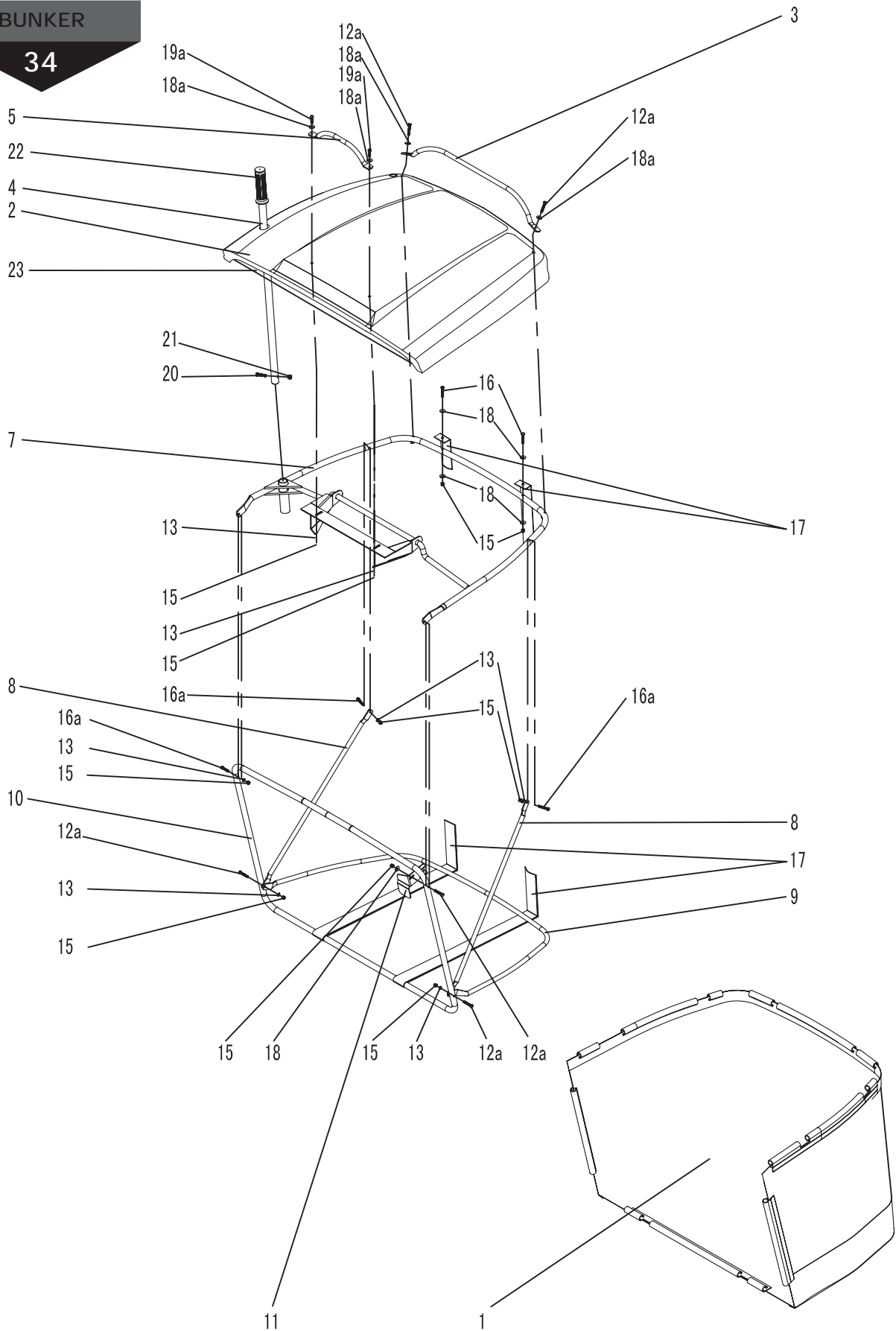
SEAT				32
1	2	3	4	Quantity
	Seat	P0975		1
1	Seat(soft)	O19 532A		1
2	Plate	E0021		1
3	Spacer	Y0414		2
4	Spring slice	N1273		1
5	Screw M8x20	150B0820	ISO4017 (DIN933)	2
6	Nut M8	32808	ISO7040 (DIN982)	2
7	Washer 9	40108	ISO7089 (DIN125-A)	4
8	Washer 5.3	40205	ISO7093 (DIN9021)	2
9	Washer 5	40305	DIN127-B	2
10	Nut M5	32805	ISO7040 (DIN982)	2
11	Washer 8.4	40208	ISO7093 (DIN9021)	4
12	Screw M8x20	150B0820	ISO4017 (DIN933)	4
14	Screw M5x16	2540516	ISO7046 (DIN965)	2
15	Seat Holder	O19 532		1
16	Band	O19 532B		1

# PARTS SCHEDULE

T130 T160  
T140 T180

BUNKER

34



# PARTS SCHEDULE

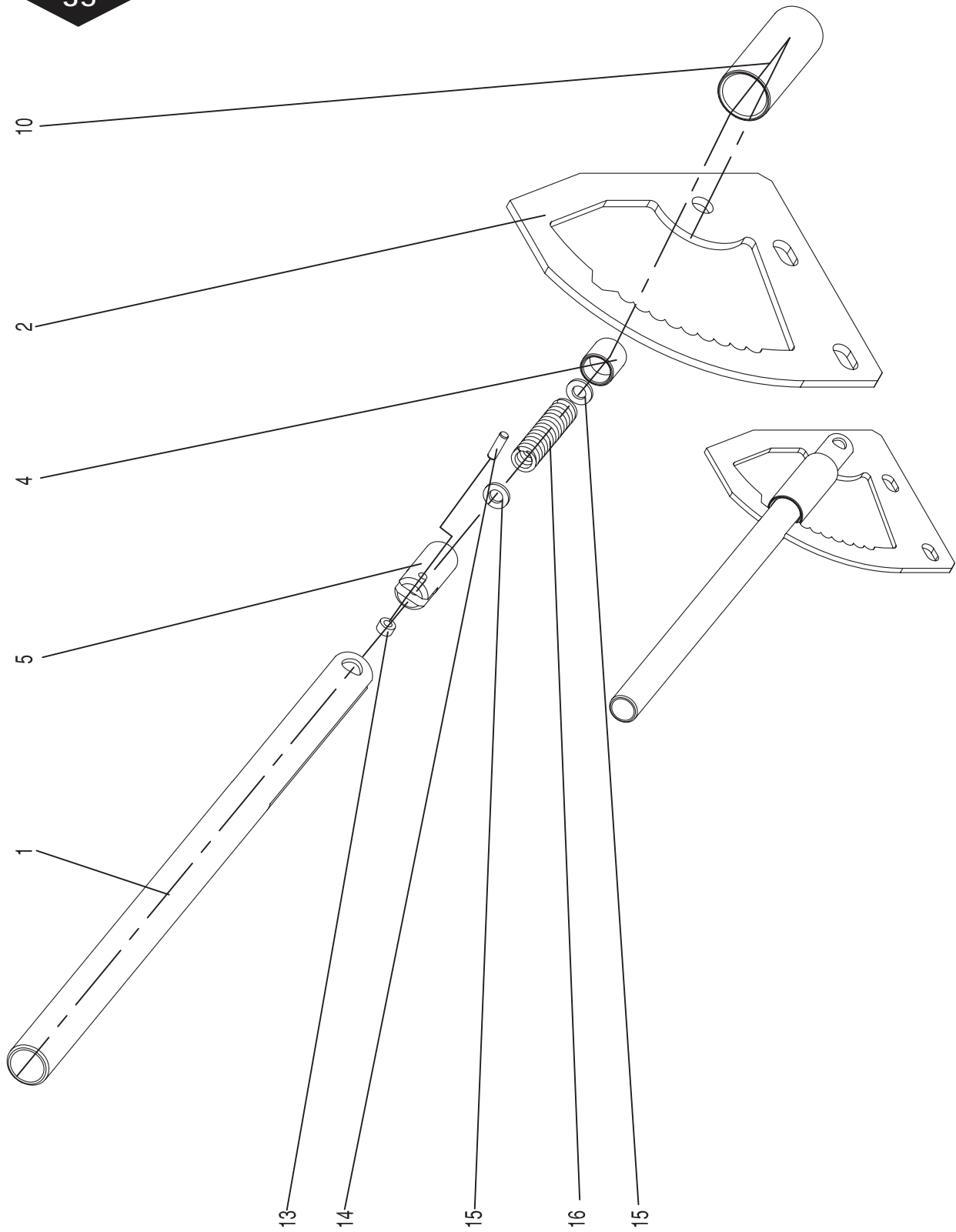
BUNKER				34
1	2	3	4	Quantity
	Bunker	P3101		1
1	Grassbag	015 356-00		1
2	Cover	012 364		1
3	Grip	P3104		1
4	Overturn pole	PO880		1
5	Grip	PO923		1
7	High section	P3103-00		1
8	Skew pole	PO140		2
9	Low section	PO137		1
10	Frame	PO935		1
11	contacter	N3401		1
12a	Screw M5x30	150B0530	ISO4017 (DIN933)	5
13	Washer 5.5	40105	ISO7089 (DIN125-A)	7
15	Nut M5	32805	ISO7040 (DIN982)	10
16	Screw M5x30	150B0530	ISO4017 (DIN933)	2
16a	Screw M5x25	150B0525	ISO4017 (DIN933)	3
17	Belt	015 356-08		2
18	Washer 5.3	40205	ISO7093 (DIN9021)	5
18a	Washer 5.3	40205	ISO7093 (DIN9021)	4
19a	Screw M5x20	150B0520	ISO4017 (DIN933)	2
20	Screw M6*25	150B0625	ISO4017 (DIN933)	1
21	Nut M6	32806	ISO7040 (DIN982)	1
22	Handgrip	PO880A		1
23	Seal strip	N2004		1

# PARTS SCHEDULE

T130 T160  
T140 T180

GEAR SHIFTING

35



# PARTS SCHEDULE

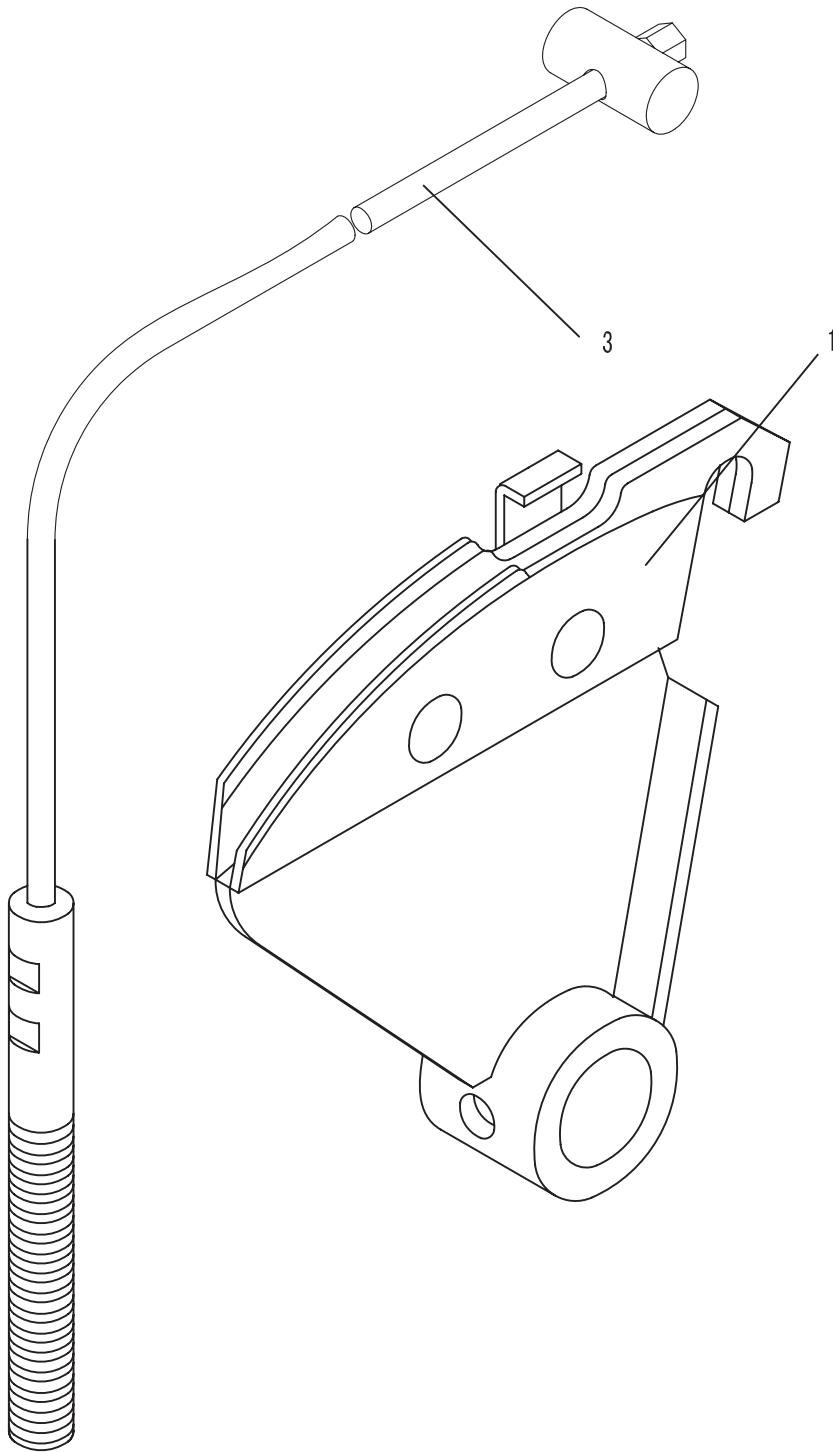
GEAR SHIFTING				35
1	2	3	4	Quantity
	Gear shifting	P0864-00		1
1	Tube	P0849		1
2	Segment	P0855		1
4	Bush	P0523		1
5	Bush	P0524		1
10	Insert	P0843		1
13	Ring	P0522		1
14	Roller 4x14B	5220414	ISO2338 (DIN7)	1
15	Washer 6.6	40106	ISO7089 (DIN125-A)	2
16	Spring	645 455		1

# PARTS SCHEDULE

T130 T160  
T140 T180

SEGMENT

36



# PARTS SCHEDULE

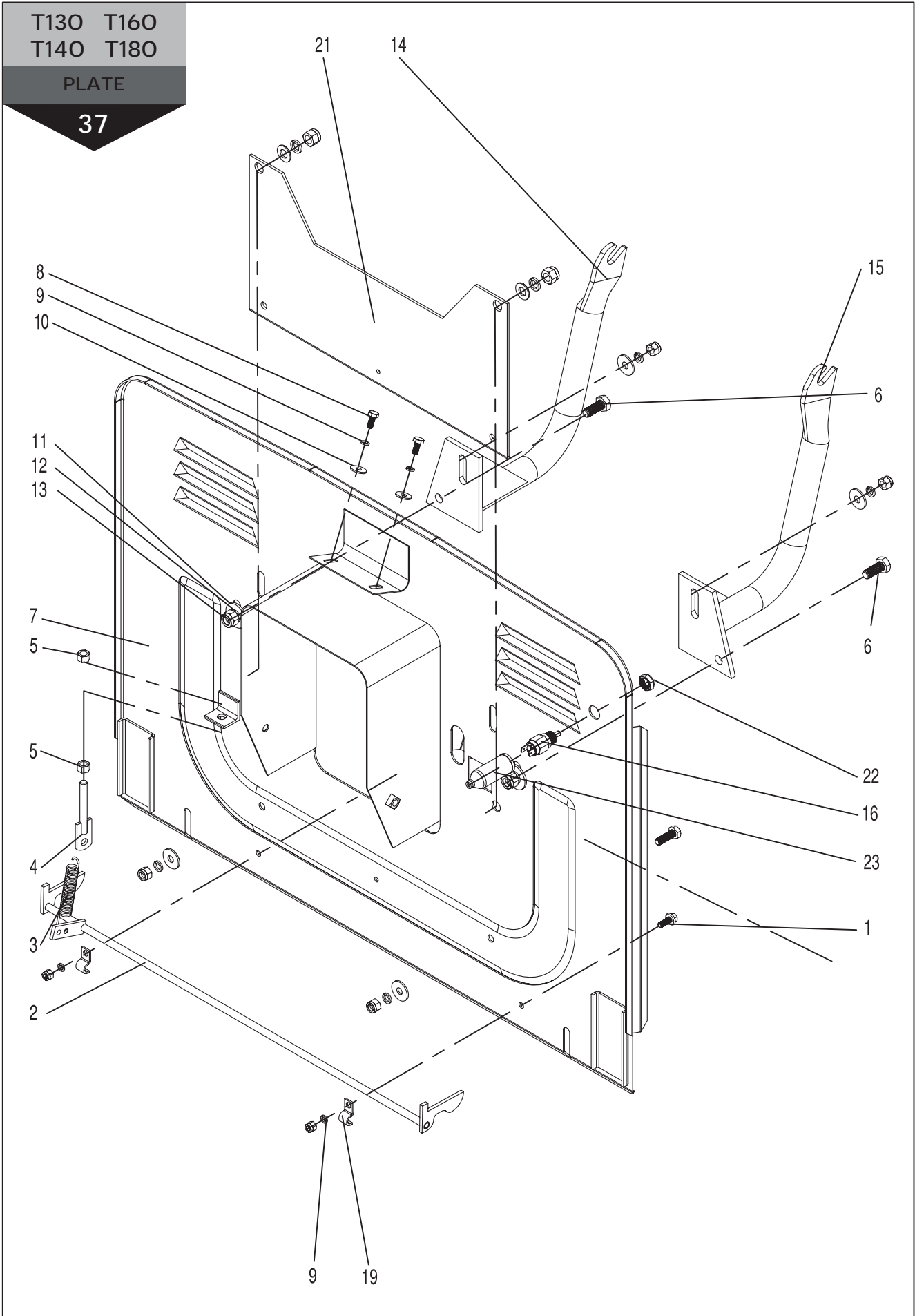
SEGMENT				36
1	2	3	4	Quantity
	Lift segment	P0774		2
1	Lift segment	P0357A-00		2
3	Rope	P0775A-00		2

# PARTS SCHEDULE

T130 T160  
T140 T180

PLATE

37



# PARTS SCHEDULE

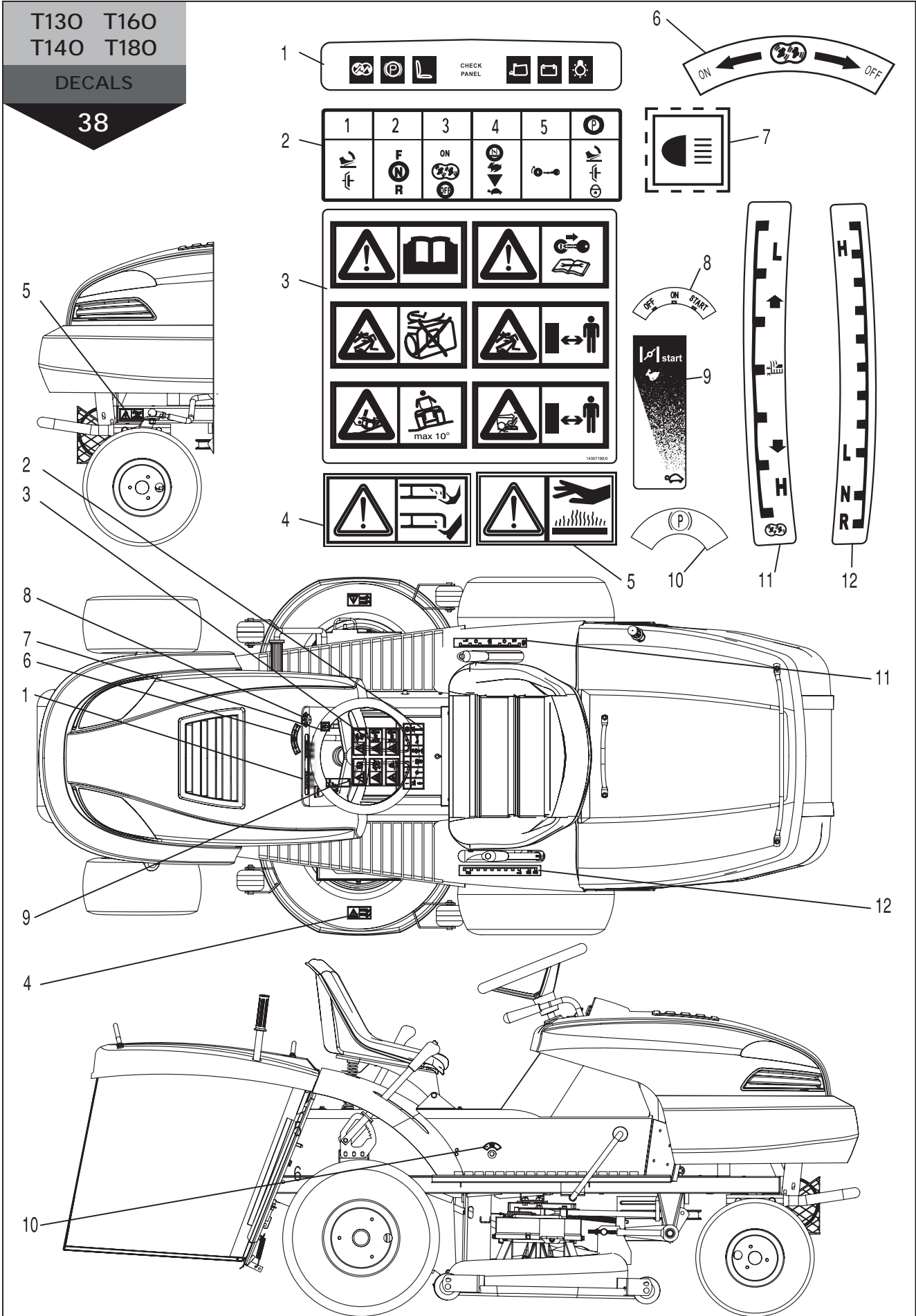
PLATE				37
1	2	3	4	Quantity
	Plate	P0324		1
1	Screw M6x16	1840616	ISO4162 (DIN6921)	2
2	Lock Pawl	GC102-100		1
3	Spring	GC102-101		1
4	Draw.rod	P0645-00		1
5	Nut M8	340B08	ISO4032 (DIN934)	2
6	Screw M10x25	150B1025	ISO4017 (DIN933)	2
7	Plate	GC102-90-00		1
8	Screw M6x14	150B0614	ISO4017 (DIN933)	2
9	Washer 6	40306	DIN127-B	2
10	Washer 6.4	40206	ISO7093 (DIN9021)	2
11	Washer 10.5	40210	ISO7093 (DIN9021)	2
12	Washer 10	40310	DIN127-B	2
13	Nut M10	32810	ISO7040 (DIN982)	2
14	Right.hook	P0324B-00		1
15	Left.hook	P0324A-00		1
16	Switch	019 546		1
19	Washer	GC102-102		2
21	Draw Frame	N2002		1
22	Switch Nut	019 546-03		1
23	Sleeve	F0001		1

# PARTS SCHEDULE

T130 T160  
T140 T180

DECALS

38



# PARTS SCHEDULE

DECALS				38
1	2	3	4	Quantity
	Decals	P3350-00		1
1	Decal, Dashboard display	P3349-01K		1
2	Decal, Operating instruction	P3349-01		1
3	Decal, Safety	P3349-01D		1
4	Decal, Danger of cutting	P3349-01F		2
5	Decal, Danger of hot	P3349-01M		1
6	Decal, Blade engagement	P3349-01H		1
7	Decal, Light switch	P3349-01P		1
8	Decal, Key ignition switch	P3349-01E		1
9	Decal, Gas control lever	P3349-01G		1
10	Decal, Parking brake button	P3349-01C		1
11	Decal, Lift lever position	P3349-01B		1
12	Decal, Shift lever position	P3349-01A		1
13	Decal, Serial number			1

# PARTS SCHEDULE

## INDEX

A			B			C		
ORDERING NUMBER			NUMBER OF GROUP			NUMBER OF CATALOGUE ITEM		
A	B	C	A	B	C	A	B	C
32805	2	73	33208	15B	70	40108	1A	153b
32805	25	9	33208	15B	72	40108	1B	32
32805	32	10	33210	15B	71	40108	1B	35
32805	34	15	38010	15B	84a	40108	1B	322
32805	1B	18	40103	25	14	40108	1B	338
32806	2	79	40103	27	53	40108	1B	348
32806	2	100	40104	2	71	40108	1B	376
32806	27	19	40104	25	19	40108	1C	202
32806	34	21	40105	2	104	40108	1C	206a
32806	15B	70a	40105	24	14	40108	1D	245
32806	1A	251	40105	25	11	40108	1D	281
32806	1B	150	40105	25	31	40108	1D	395a
32806	1D	251	40105	34	13	40110	2	108
32808	2	63	40105	1B	312	40110	7	12
32808	2	95	40106	2	112	40110	7	17
32808	14	13	40106	11	11	40110	15B	53
32808	32	6	40106	25	24	40110	1A	15
32808	36	8	40106	27	17	40110	1A	102
32808	1A	11	40106	35	15	40110	1B	328
32808	1A	36	40106	37	17	40110	1C	61
32808	1A	99	40106	15A	97	40112	2	102
32808	1A	133	40106	15B	97	40112	14	15
32808	1A	220	40106	15B	70b	40112	1A	139
32808	1A	153a	40106	1A	249	40112	1C	68
32808	1B	36	40106	1B	149	40116	1B	82
32808	1B	337	40108	2	93	40120	1C	226
32808	1B	363	40108	14	18	40205	25	33
32808	1B	377	40108	24	5	40205	32	8
32808	1C	207	40108	25	40	40205	34	18
32810	7	22	40108	27	49	40205	34	18a
32810	37	13	40108	32	7	40205	1B	17
32810	1A	23	40108	36	6	40205	1D	295a
32810	1A	101	40108	15A	98	40206	2	80
32810	1B	330	40108	1A	32	40206	2	98
32812	14	14	40108	1A	129	40206	37	10
32812	1B	182	40108	1A	139	40206	1D	232
40206	1D	236	40308	14	19	43120	1A	21
40206	1D	249	40308	24	6	43125	15B	85
40206	1D	292	40308	27	50	43607	1A	16
40208	2	93a	40308	15A	98a	43609	2	60
40208	32	11	40308	15B	70c	1200825	15B	68
40208	1A	10	40308	1A	35	1840616	37	1
40208	1A	100	40308	1A	131	1840620	2	76
40208	1A	217	40308	1A	218	1920835	2	27
40208	1B	172	40308	1A	100a	2140310	25	13
40208	1D	242	40308	1A	203a	2140310	27	52
40210	2	99	40308	1A	95a	2140410	25	21
40210	37	11	40308	1B	37	2140518	25	34
40210	1A	386	40308	1B	42	2540516	32	14
40212	1C	71	40308	1B	174	2710819	24	6
40303	25	15	40308	1B	318	2712995	24	15
40303	27	54	40308	1B	323	2716313	1D	395b
40304	2	110	40308	1B	336	2716319	24	11
40304	24	12	40308	1C	206	2716322	24	10
40304	25	20	40308	1C	202a	2850616	1A	248
40305	2	105	40308	1D	244	5000445	1C	30
40305	24	16	40310	2	109	5000530	7	25
40305	25	12	40310	2	99a	5000530	1C	83
40305	32	9	40310	7	19	5000530	1C	225
40305	1D	295	40310	37	12	5002520	25	41
40306	2	78	40310	15B	71a	5002525	15B	84b
40306	2	103	40310	1A	102a	5002525	1B	380

# PARTS SCHEDULE

## INDEX

A			B			C		
ORDERING NUMBER			NUMBER OF GROUP			NUMBER OF CATALOGUE ITEM		
A	B	C	A	B	C	A	B	C
40306	11	10	40310	1B	159	5003218	1B	326
40306	25	23	40310	1B	329	5003225	1A	140
40306	27	18	40310	1C	61a	5100832	1B	319
40306	37	9	40312	1B	182a	5210832	15B	58
40306	15A	97a	40312	1C	69	5220414	35	14
40306	15B	35a	40408	36	7	5280430	15B	89
40306	15B	38b	43032	15B	51	5280625	14	17
40306	15B	97a	43035	2	55	5280625	1A	134
40306	1A	250	43042	15A	87	5280632	1B	359
40306	1B	148	43047	15A	86	5280635	1C	79
40306	1D	233	43047	15B	86	5280655	1C	87
40306	1D	237	43115	2	57	5510565	1C	224
40306	1D	250	43115	15B	84	67405100	27	13
40306	1D	292a	43119	7	24	006 453	15B	24a
40308	2	91	43120	2	56	006 586	15B	47a
007 266	1B	156a	012 070	1B	154	027 692	1C	223
007 343	27	2	012 364	34	2	027 692A	1C	223a
007 385	25	38	012 434	2	48	052 593	27	28
007 385	27	9	012 441	2	32	067 312	14	11
007 441	2	44	013 373B	24	2b	074 87	1B	46
007 630	27	15	013 373B	27	41	081 474	11	6
007 770	25	17	013 373C	24	3b	089 931	15B	79
007 770	27	31	013 373C	27	41a	096 472	15A	80
007 771	27	14	015 286	2	49	096 473	2	52
007 840	25	39	015 356-00	34	1	098 351	15B	36
007 840	27	7	015 356-08	34	17	108 766	15B	13
007 896	1D	300	016 833	15B	25	13/102.48.100	27	12
007 903	1D	299	016 876	15B	28	150B0412	2	68
008 044	14	6	019 364	1B	158	150B0510	24	15
008 051	1A	117	019 364B	15B	53a	150B0512	1B	341
008 135	1B	332	019 364C	15B	53b	150B0514	1D	294a
008 142	1B	144	019 371	1B	162	150B0516	25	7
008 156	1D	280	019 371B	15B	53c	150B0520	34	19a
008 170	1D	279	019 500	32		150B0525	34	16
008 184	1D	278	019 500	1D	271	150B0525	34	16a
008 191	1A	384	019 532	32	15	150B0525	1B	16
008 205	1B	360	019 532A	32	1	150B0530	34	12a
008 212	1B	378	019 532B	32	16	150B0612	15B	35b
008 226	1B	381	019 546	27	21	150B0612	15B	38c
008 513	1A	49	019 546	27	26	150B0614	2	65
008 681	1A	47	019 546	37	16	150B0614	25	22
008 695	1B	383	019 546-00	1B	105	150B0614	25	26
008 702	1A	382	019 546-00	1D	246	150B0614	37	8
009 916	1B	33a	019 546-03	37	22	150B0616	27	16
009 917	1B	33b	019 546-03	1B	105a	150B0616	1B	151
009 918	1B	33c	019 546-03	1D	246a	150B0616	1D	190
009 919	1B	33	021 064	2	101	150B0616	1D	293
010 304	1A	137	021 806B	24	2	150B0618	1D	235
011 565	1A	12	021 806C	24	3	150B0620	2	76
011 565	1C	78	022 143	7	2	150B0620	15A	93a
011 572	14	2	025 632	1A	50	150B0620	15B	93a
011 572	1A	138	025 632A	1A	53	150B0620	1D	248
011 572	1B	354	026 963	2	41	150B0625	34	20
011 600	2	37	027 685	7	21	150B0625	15B	92
011 992	15B	37	027 685A	7	28	150B0625	15B	93
012 063	1B	143	027 685A-03	7	20	150B0625	15B	94
150B0635	11	9	310 181A	27	43	92 834	15B	75
150B0670	1B	147	310 182	27	43a	B0001	7	18a
150B0812	1B	173	328B05	1B	342	E0021	32	2
150B0812	1B	347	328B06	1D	238	E0041	1C	86
150B0816	1D	243	340B03	25	16	E0672	2	66
150B0818	36	5	340B03	27	55	F0001	37	23
150B0818	1A	95	340B05	25	30	F0002	1D	394

# PARTS SCHEDULE

## INDEX

A			B			C		
ORDERING NUMBER			NUMBER OF GROUP			NUMBER OF CATALOGUE ITEM		
A	B	C	A	B	C	A	B	C
150B0820	32	5	340B06	15B	40	F0003-00	1B	397
150B0820	32	12	340B08	27	48	F0004	1B	398
150B0820	15A	95	340B08	37	5	F0005	1D	395
150B0820	15B	69	340B08	15B	69a	F0006-00	1D	396
150B0820	1A	130	340B08	1A	153	GC102-00-00	1A	1
150B0820	1A	203	340B10	7	18	GC102-00-00	1C	1
150B0820	1A	215	340B10	1A	22	GC102-00-00	1D	1
150B0820	1A	216	340B10	1A	387	GC102-00-07	1D	272
150B0820	1B	320	340B10	1B	38	GC102-100	37	2
150B0820	1C	201	341B10	7	18	GC102-101	37	3
150B0822	2	82	341B10	1B	160	GC102-102	37	19
150B0822	1B	335	341B10	1C	62	GC102-90-00	37	7
150B0825	2	82a	341B12	1C	70	GC102-A-02	1C	75
150B0825	24	7	341C10	7	13	GC102-A-09-01B	25	1
150B0825	1A	17	341C10	1C	62a	N0081	2	111
150B0825	1B	171	350B08	1A	121	N02-01	1A	389
150B0825	1B	321	351B10	15B	74	N0701	15B	31a
150B0830	2	84	402B06	25	28	N0702	15B	35
150B0840	1B	34	402B06	15B	38a	N1273	32	4
150B0855	1A	9	403B10	2	99b	N2002	37	21
150B0855	1D	282	477 942	15A	81	N2003	24	5
150B0860	2	86	620 012	15B	83	N2004	34	23
150B1025	2	83	645 455	35	16	N2005	27	3
150B1025	37	6	647 081B	24	2a	N3401	34	11
150B1030	1B	327	647 081B	27	42	P0031-00	1A	6
151B1025	2	19	647 081C	24	3a	P0032-00	1A	7
151B1270	1C	67	647 081C	27	42a	P0035-01	2	5
151C1040	1C	64	684 010	2	53	P0037	2	38
151C1055	7	11	900 001	7	27	P0038	2	28
214A0518	2	69	900 001	1C	230	P0039	2	34
277 415	2	77	92 792A	1A	52a	P0046	2	12
280 145	7	4	92 796	1A	51	P0048	2	31
280 146	7	26	92 797	1A	52	P0049	2	36
283A0616	15B	39	92 813	1D	285	P0081	2	26
P0087	2	16	P0260A-00	1A	118	P0560-00	1B	339
P0093-01A	1C	59	P0266	15A	10	P0564-00	1B	331
P0093-10-00	7	16	P0267	15B	29	P0585-00	1B	165
P0093-10-00	1C	60	P0278	15A	14	P0587	14	4
P0093-20-00	7	16a	P0279	15A	15	P0588	14	7
P0100-00	1C	65	P0287	1C	80	P0590	14	8
P0101	1C	72	P0302	1A	94	P0593-00	25	3
P0112	15A	8	P0306	1A	96	P0645-00	37	4
P0115	15B	57	P0324	37		P0645-00	1B	361
P0119	1A	212	P0324	1A	98	P0646-00	15B	54
P0120	1C	205	P0324A-00	37	15	P0666	1B	168
P0121	15B	23	P0324B-00	37	14	P0697	1B	141
P0124	15B	19	P0325	15B	61	P0743	1B	334
P0125	15A	4	P0337-00	14	1	P0750-00	1B	344
P0126	15A	6	P0341-00	1B	178	P0767-00	1B	156
P0128-00	15A	5	P0345	1B	167	P0774	36	
P0137	34	9	P0346	1B	177	P0774	1A	128
P0140	34	8	P0353	15B	60	P0775A-00	36	3
P0142-00	1B	145	P0354	14		P0775A-00	1A	135
P0146	1B	146	P0354	1B	164	P0778	1A	48
P0147	1B	142	P0356	15B	55	P0779	15B	20
P0151	2	30	P0357A-00	36	1	P0797-01	7	15
P0153	15B	50	P0382-00	1B	356	P0827	1B	305
P0160	15B	52	P0397	15B	62	P0837	1B	306
P0166	11	3	P0404-00	1B	375	P0838	1B	302
P0167	27	4	P0411	15B	46	P0839-00	1B	309
P0178-00	15A	16	P0413	15B	44	P0843	35	10
P0186	1A	213	P0437	1B	374	P0844	15B	31
P0187	15B	33	P0453	15B	27	P0845-00	1B	304

# PARTS SCHEDULE

## INDEX

A			B			C		
ORDERING NUMBER			NUMBER OF GROUP			NUMBER OF CATALOGUE ITEM		
A	B	C	A	B	C	A	B	C
P0211	1B	181	P0481-00	2	46	P0848-00	11	12
P0216	15B	43	P0486	27		P0849	35	1
P0220	15B	42	P0487	27	5	P0852	1B	303
P0221	15B	49	P0488	27	6	P0855	35	2
P0225(D0225)	2	18	P0522	35	13	P0861	11	
P0226(D0226)	2	17	P0523	11	7	P0861	1A	127
P0227	1B	157	P0523	35	4	P0862	1B	310
P0237-00	11	4	P0524	35	5	P0864-00	35	
P0240	15B	47	P0525	11	8	P0864-00	1B	308
P0243	15B	48	P0549	11	1	P0876	1C	66
P0253-00	1A	93	P0551	1B	340	P0880	34	4
P0260-01	1A	120	P0555	1B	333	P0880A	34	22
P0881	2	99c	P3230-00	1B	345	P3580-00	2	
P0882	15B	34	P3236	2	6	P3580-00	1A	5
P0884	15B	41	P3236A	2	99d	P3585-00	2	61
P0885	15A		P3288	25		P3587A	2	107
P0885	15B		P3288	1D	241	P3587B	2	4
P0885	1C	198	P3346A	1D	262	P3589-00	2	1
P0887	15B	12	P3349-01	38	2	P3600	2	42
P0889	15B	24	P3349-01A	38	12	P3600A	2	42a
P0891	15B	22	P3349-01B	38	11	P3633	1C	229
P0893	15B	32	P3349-01C	38	10	P3640	1B	44
P0895	15A	1	P3349-01D	38	3	P3791	1C	63
P0895	15B	1	P3349-01E	38	8	P3820-00	7	
P0905	7	10	P3349-01F	38	4	P3820-00	1C	25
P0907-00	25	8	P3349-01G	38	9	P3836-00	7	5
P0923	34	5	P3349-01H	38	6	P3838-00	7	9
P0935	34	10	P3349-01K	25	18	PA0093-01A	1C	59a
P0961	11	5	P3349-01K	38	1	PA0100-00	1C	65a
P3101	34		P3349-01M	38	5	PA3228-00	1B	40a
P3101	1A	316	P3349-01P	38	7	PA3820-00	7	
P3103-00	34	7	P3349-02	1D	294	PA3820-00	1C	25a
P3104	34	3	P3356A-00	25	2	PA3836-00	7	5a
P3141C-00	25	36	P3356H	25	10	PA3838-00	7	9a
P3142A-00	25	29	P3356H	27	51	PB3228-00	1B	40b
P3149-00	2	45	P3481	1A	14	PC3228-00	1B	40
P3152A	25	35	P3486	1C	228	Q0001	15B	55a
P3157	7	1	P3487	1C	227	Q0002	15B	55b
P3161	1C	26	P3536	1B	198	SM1021	1D	255
P3168-00	2	3	P3541	7	7	T0202	25	37
P3181-00	1A	20	P3541A	7	6	T0301	25	32
P3182-00	1A	19	P3561-00A	24		Y0121	1A	54
P3185	1A	13	P3561-00A	1D	231	Y0414	32	3
P3186-00	1A	8	P3561A	24	1			
P3188	2	15	P3562-00	1D	247			
P3189	2	14	P3562A-02	24	4			
P3201	15B	45	P3563A-03	24	13			
P3206	25	25	P3564A-04	24	14			
P3206	1D	291	P3565A-05	24	9			
P3220	2	20	P3565A-06	24	7			
P3221-00	1B	358	P3565A-07	24	8			
P3228C	1B	39	P3567A	1D	84			
P3228D	1B	41	P3572	1D	187			

# NOTES